

kuraray

Trosifol®

SentryGlas®

Laminated Glass News



February 2023

Specialized Glazing

BirdSecure® Pro – Now available. New Designs for Trosifol® and SentryGlas® Bird- friendly solutions

Introducing our BirdSecure® Pro, designed to keep our feathered friends safe while they fly by urban areas.

It is becoming increasingly clear that birds' safety and well-being must be considered anytime glass structures are created, particularly as regulations are adapting it to benefit of the environment.

The effective dot pattern applied directly to the BirdSecure® Pro interlayer has been optimized and now shows even better results. Not only the color composition of the dot pattern has been revised, but also the dot size and spacing have been significantly changed.

Both Trosifol® and SentryGlas®
BirdSecure® Pro were developed



according to the specifications of the American Bird Conservancy (ABC), fully tested according to the standards and meet the LEED SSpc55 building standard. In addition, the new interlayer acts as a UV blocker. As with its predecessor is easy to laminate and the new solution can be used alone or with solar control coatings. Although the dot pattern is highly effective against bird strikes, it cannot be seen by humans from a distance of more than two meters, so it does not obstruct or obscure views.

The relevant safety features of Trosifol® PVB and SentryGlas® ionoplast interlayers, well-known on the market for many years, remain unchanged: glass fragments will remain attached to the interlayer in the event of glass breakage and will not cause injury to people or animals.

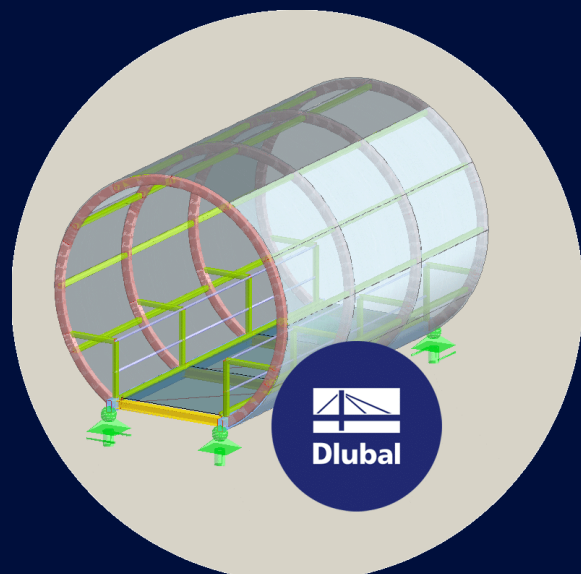
 [Click here to download the BirdSecure® Pro brochure](#)

Tools

Implementation of our interlayer portfolio into the software applications DLUBAL RFEM/RSTAB

In the software applications Dlubal RFEM and Dlubal RSTAB, which are popular among structural engineers and engineering offices, the material database now includes the Kuraray's laminated safety glass interlayers with their mechanical properties.

This update facilitates the reliable and economical design and dimensioning of glass structures with innovative Kuraray



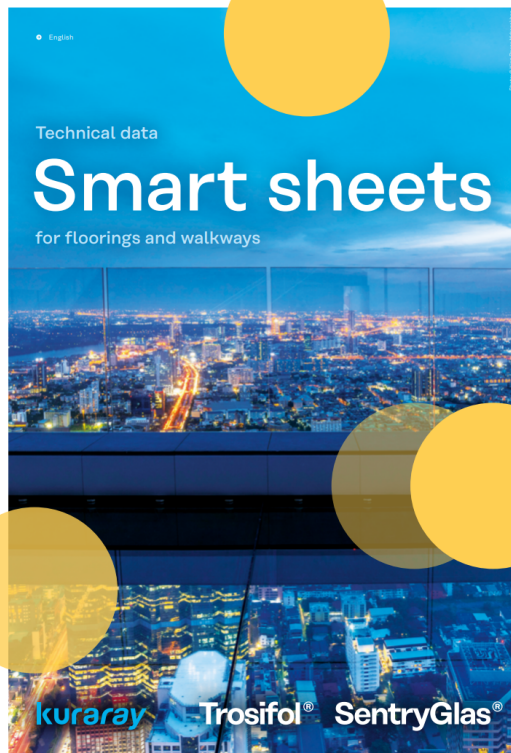
products such as SentryGlas® and Trosifol® Extra Stiff.

The integration of Kuraray's industry-leading interlayer technology into Dlubal software was supported by our partner M&M Network-Ing UG and will provide Dlubal software users with even more options for developing innovative and durable glass structures.

We look forward to seeing the impressive and innovative projects, which our customers can create with this new feature.


Structural & Security Glazing

Do not miss our updated brochures!



[!\[\]\(e474458956c9a37fbf9586ddb60a7fa1_img.jpg\) Click here to download the Smart sheets brochure](#)

[!\[\]\(3e2231b1ad3ca8da8658228c00dd08e0_img.jpg\) Click here to download the Autoclave free laminating brochure](#)

 [Our website](#)

 [Customer login](#)

 [Contact](#)



This email was sent by:
Kuraray Europe GmbH (Philipp-Reis-Str. 4, 65795
Hattersheim, Germany) on behalf of Kuraray Co. Ltd.,
Japan.

This email was sent to:
Kuraray: [One-Click Unsubscribe](#)

Copyright © 2023 Kuraray. All rights reserved.

Trosifol, Butacite, SentryGlas, SG, SentryGlas Xtra, SGX, SentryGlas Acoustic, SGA and Spallshield are trademarks or registered trademarks of Kuraray Co., Ltd. or its affiliates. Trademarks may not be applied for or registered in all countries. The information, recommendations and details given in this document have been compiled with care and to our best knowledge and belief. They do not entail an assurance of properties above and beyond the product specification. Final determination of suitability of any material or process and whether there is any infringement of patents is the sole responsibility of the user.